

### 750 Series IP Dome Cameras (White and Black)



The WPS-750-DOM-IP Day/Night Outdoor IP Domes provides full 1080 support with up to 8 times the resolution of analog models. Watch crystal clear video on PC and mobile devices, as well as streaming video on many popular control systems. Ideal for use in perimeter monitoring for both commercial and residential applications.

#### Features



High-Resolution



IR/Sense-Up



Outdoor-Rated



Adjustable Lens



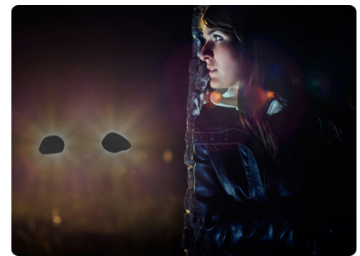
Wide Dynamic Range

#### High Definition Streaming

Delivers pristine video with resolutions up to 1920x1080 at a full 30FPS, with a true 16:9 widescreen view.

#### Sees in the Dark

Features Smart IR to eliminate overexposure and evenly illuminate subjects so they can be seen clearly even in the dark.



#### Compensates for Bright Backgrounds

Reduces silhouetting so foreground subjects can be seen clearly when there's a bright background light, and blocks intensely bright areas to improve image contrast.

#### Keeps Designated Areas Private

Blocks out sensitive or privileged areas defined by users to ensure privacy of controlled access areas or home interiors.

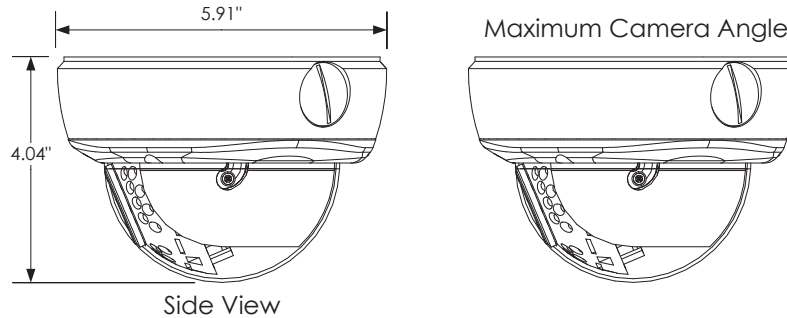


#### 5-Year Limited Warranty

This camera has a 5-Year Limited Warranty. The warranty includes parts and labor repairs on all components found to be defective in material or workmanship under normal conditions of use. This warranty shall not apply to products which have been abused, modified, disassembled or improperly installed. Products to be repaired under this warranty must be returned to Snap AV or a designated service center with prior notification and an assigned return authorization number (RA).

### 750 Series IP Dome Cameras (White and Black)

#### DIMENSIONS



#### SPECIFICATIONS

Image Sensor	1/2.7" 2M CMOS Sensor
Min. Illumination	0.5 lux @ F1.4 (IR Off) 0 lux @ F1.4 (IR On)
Video Resolution	1920x1080@30fps, 1280x720@30fps, 640x480@30fps, 320x240@30fps, 176x144@30fps
Scanning System	2:1 Interlace
Lens	3.3 - 12 mm Mega Pixel Lens F1.4
Shutter Speed	1 / 5 ~ 1 / 10,000 sec
IR	50 ft.
Video Compression format	H.264/ M-JPEG/ MPEG4
Video Bitrates	CBR (Up to 8Mbps), VBR
Image Adjustment	Brightness, Contrast, Hue, Saturation, Sharpness
DNR	2D DNR
Actions upon Triggers	Email, FTP, Save to micro SD card, Digital Output, SAMBA
DC Iris	Yes
True Day/Night (IR Cut Filter)	Yes
White Balance	Yes
True Day/Night	Yes
ACG	Yes
Sense Up	Yes
Digital WDR	Yes
Flip	Yes
Mirror	Yes
Shutter Speed Adjustable	Yes
Day&Night Adjustable	Yes
Quad Streaming	Yes
Image Snapshot	Yes
Full Screen Monitoring	Yes
Privacy Mask	Yes
Motion Detection	Yes
Pre/ Post Alarm	Yes

Video Test Port	Yes	
Setup Power Port	Yes	
microSD Card Support	Yes	
Vandal Resistant	Yes	
Security	Password protection, IP address filtering, HTTPS encrypted data transmission, QoS/DSCP	
Simultaneous Connections / Users	Up to 10	
Ethernet	10/ 100 Base-T	
Network Protocol	HTTP, HTTPS, SNMP, QoS/DSCP, Access list, RTSP, TCP/ IP, UDP, SMTP, FTP, PPPoE, DHCP, DDNS, NTP, UPnP, 3GPP, SAMBA, Bonjour	
On Pigtail	1 Digital in and 1 Digital out (3pin Green Socket), DC-jack, 1 Audio in and 1 Audio out, male RJ45	
Audio Compression	G.711 (64K) and G.726(32K,24K) audio compression	
Audio Input	3.5mm x 1	
Recording Triggers	Motion Detection, IP Ping failure, Network disconnect, Schedule, Digital Input	
OS	Windows 7, Vista, 2000, XP, 2003, Microsoft IE 6.0 or above	
Mobile Support	iOS 4.3 or above, Android 1.6 or above.	
Hardware	Suggested	Intel Dual Core 2.53G, RAM: 1024MB, Graphic card: 128MB
	Minimum	Intel-C 2.8G, RAM: 512MB, Graphic card: 64MB
Operating Temperature	14°F ~ 113°F	
Dimensions	4.04" (H) x 5.91" (W)	
Weight	2.18 lbs	
Weather Rating	IP66	
POE / Consumption	Yes - PoE IEEE 802.3af 4.8W (IR Off) / 6.72W (IR On)	
12VDC Power Consumption	3.84W (IR Off) / 5.16W (IR On)	
Onvif	Yes	
CE, FCC, RoHS	Yes	

#### 5-Year Limited Warranty

This camera has a 5-Year Limited Warranty. The warranty includes parts and labor repairs on all components found to be defective in material or workmanship under normal conditions of use. This warranty shall not apply to products which have been abused, modified, disassembled or improperly installed. Products to be repaired under this warranty must be returned to Snap AV or a designated service center with prior notification and an assigned return authorization number (RA).