

500 Series 600TVL Analog Bullet Cameras (White and Gray)



The WPS-500-BUL-A Day/Night Outdoor Varifocal Bullet Cameras feature enhanced resolution, clear video, and improved visibility, making them ideal for use in warehouses, retail buildings, offices and residential locations. And an adjustable field of view lets them get up close and personal with objects of interest.

Features



High-Resolution



IR/Sense-Up



Outdoor-Rated



Adjustable Lens



Video Test Port

Provides Crisp, Clear Images

Uses Digital Wide Dynamic Range (D-WDR) to create even lighting and clear images in areas with lots of natural light, and features a digital signal processor that produces crisp, clean pictures.

Sees in the Dark

Features Smart IR to eliminate overexposure and evenly illuminate subjects so they can be seen clearly even in the dark.



Compensates for All Kinds of Lighting

Whether dealing with background or foreground space, bright lights or dark areas, LED intensity or uneven contrast, this camera is equipped with a slew of technology to handle it all – and produce crystal-clear, easily-identifiable images.

Keeps Designated Areas Private

Blocks out sensitive or privileged areas defined by users to ensure privacy of controlled access areas or home interiors.

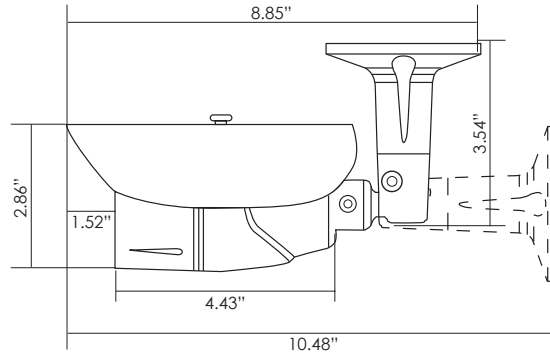


5-Year Limited Warranty

This camera has a 5-Year Limited Warranty. The warranty includes parts and labor repairs on all components found to be defective in material or workmanship under normal conditions of use. This warranty shall not apply to products which have been abused, modified, disassembled or improperly installed. Products to be repaired under this warranty must be returned to Snap AV or a designated service center with prior notification and an assigned return authorization number (RA).

500 Series 600TVL Analog Bullet Cameras (White and Gray)

DIMENSIONS



SPECIFICATIONS

Video	Image Sensor	1/3" Sony Super-HAD II CCD		
	Effective Number of Pixels	NTSC: 768(H) * 494(V)		
	Resolution	Color: 600 TVL; B/W: 650 TVL		
	Min. Illumination	Color: 0.01 Lux (F1.2), 0.0001Lux		
	Gamma	0.45		
	S/N Ratio	52dB (AGC Off)		
	BNC Video Output	1.0 Vp-p, 75 ohm		
	Sync Mode	Internal sync		
	Scanning System	2:1 Interlace		
	Horizontal Sync. Frequency	NTSC: 15.734 KHz	PAL: 15.625 KHz	
	Shutter Control	Auto: 1/60(50)~1/100000 sec.		
	Auto Gain Control	On(Level Programmable) / Off		
	Back Light Compensation	HLC / BLC / Off		
	White Balance	ATW1, ATW2, AWC-SET, MANUAL		
	Day/Night	Color, B/W (IR SMART), AUTO, EXT		
	Privacy Masking	On (8 Programmable Areas) / Off		
	Motion Detection	4 Programmable Areas / Off		
	Mirror	On / Off		
	2D-DNR	On / Off		
	DWDR	On (Level Programmable) / Off		
	Parking Line	On / Off		
	Camera ID	Programmable		
	Lens Shading	On / Off		
	Dead Pixel Compensation	AUTO (64 points)		
	RS-485	PELCO-D / PELCO-P		
	OSD	Yes		
Smart IR	Yes			
Sharpness	On (Level Programmable) / Off			

Infrared LED	Quantity	18	
	Radiant Distance	65 ft	
Power	Power Supply	12-30V DC (1A) or 24V AC (500mA) - not included	
	Power Consumption	5.5W, 450mA	
Lens	Size	3.7 ~ 12mm Varifocal Auto Iris Lens	
	Field of View- Horizontal	76.9 ° (W) ~ 22.7 ° (T)	
	Field of View- Vertical	56.89 ° (W) ~ 17.07 ° (T)	
Weatherproof	IP 66 Grade		
Certifications	CE, FCC, ROHS		
Net Weight	.99 lb		
Dimensions	10.48 (L) * 2.86 (H) with Sun Shade and Bracket fully extended		
Operating Temperature	14°F ~ 140°F / 80% RH		

5-Year Limited Warranty

This camera has a 5-Year Limited Warranty. The warranty includes parts and labor repairs on all components found to be defective in material or workmanship under normal conditions of use. This warranty shall not apply to products which have been abused, modified, disassembled or improperly installed. Products to be repaired under this warranty must be returned to Snap AV or a designated service center with prior notification and an assigned return authorization number (RA).